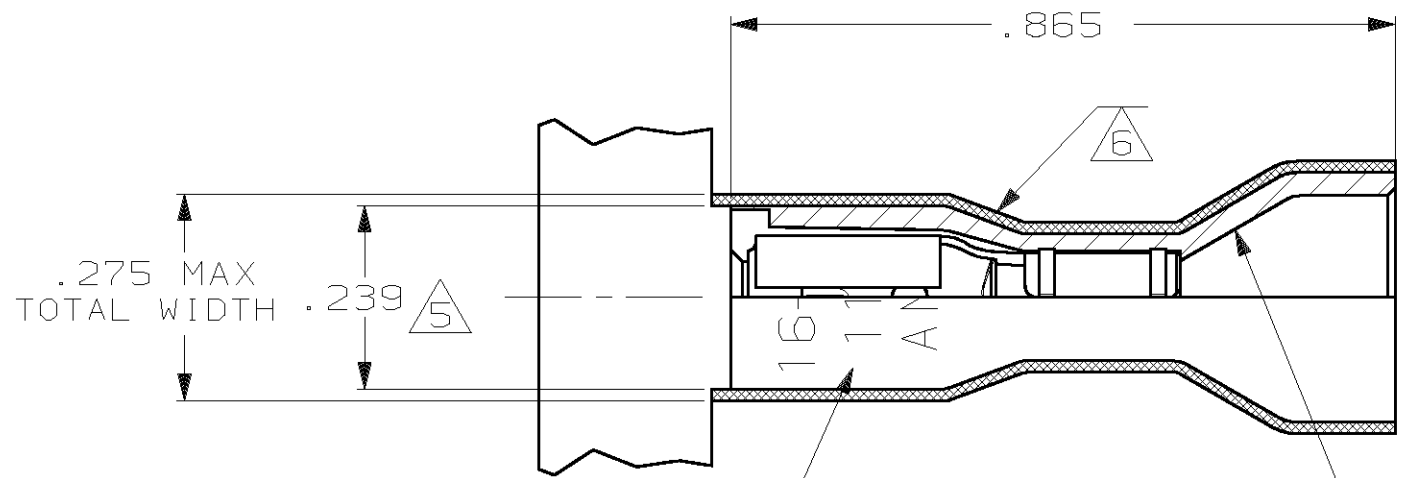
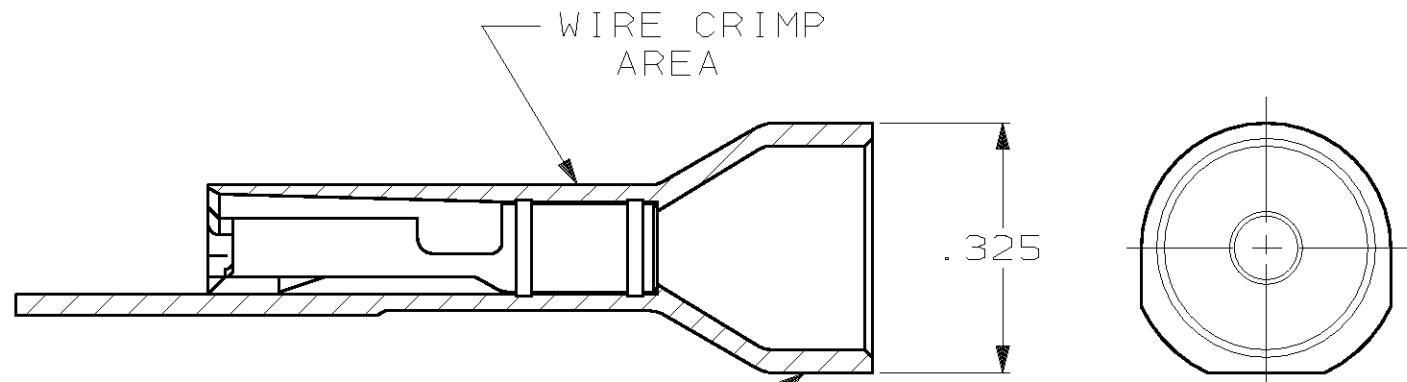
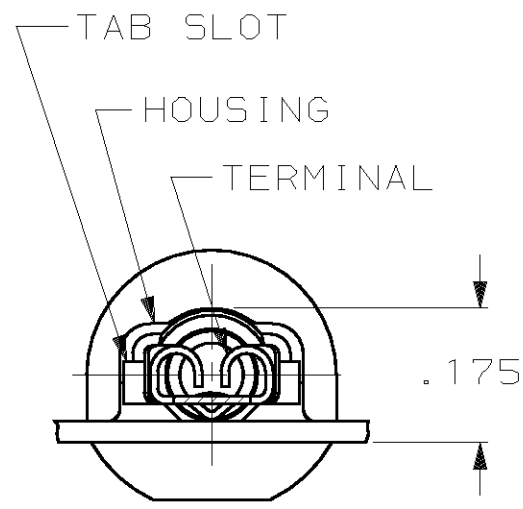


THIS DRAWING IS UNPUBLISHED. RELEASED FOR PUBLICATION, 19  
 © COPYRIGHT 19 BY AMP INCORPORATED. ALL INTERNATIONAL RIGHTS RESERVED.

LOC	DIST	REVISIONS						
AF	50	P	F	ZONE	LTR	DESCRIPTION	DATE	APPD
					J	REV PER 0G1A-0145-99	3JUN99	JR/JH



- 1 MATES WITH .020±.001 X .110 OR .125 TAB.
- 2 WIRE STRIP LENGTH .281
- 3 INSULATION SIZE .260 MAX DIA
- 4 CONTINUOUS STRIP ON REELS
- 5 DIMENSION DOES NOT INCLUDE TRIM BURR
- 6 .015 MAX CARRIER TRIM BURR PER SIDE IS ALLOWABLE IN THE SHADED AREA



WIRE AND RECEPTACLE SIZE IDENTIFICATION { 16-14, 110 AMP

HOUSING: NYLON, COLOR-BLUE TRANSLUCENT		3-520370-2	
RECEPTACLE: #3 HARD BRASS, TIN .000080 MIN		PART NO	
MATERIAL & FINISH		AMP INCORPORATED Harrisburg, Pa. 17105	
DO NOT SCALE PRINT. UNLESS SPECIFIED DIMENSIONS IN INCHES TOLERANCES ON: 2 PLC DEC ± - 3 PLC DEC ± .015 ANGLES ± -		NAME RECEPTACLE ASSY, ULTRA-FAST, .110/.125 SERIES, 16-14 AWG	
MATERIAL SEE TABLE		SIZE <b>B</b>	
FINISH SEE TABLE		FSCM NO 00779	
DR 11/9/88 P FORTNEY CHK 11/9/88 MS FEHER APPD 11/11/88 K RANDOLPH APPD 11/11/88 TL SHUTTER PRODUCT SPEC 108-2043 APPLICATION SPEC 114-2123 WEIGHT -		DRAWING NO 520370	
		SCALE 4:1	
		SHEET 1 OF 1	